

Thermalux UK



BROCHURE

OUTDOOR ALUMINIUM

**INFRARED SAUNA SAUNA STEAM ROOM SPA
WELLNESS POOLHOUSE STORAGE**

Table of contents

Brochure

Outdoor aluminum







About us

Thermalux is a home-grown success story. It was conceived and created out of a love of kinetic therapy and belief in the medical power of an infrared sauna.

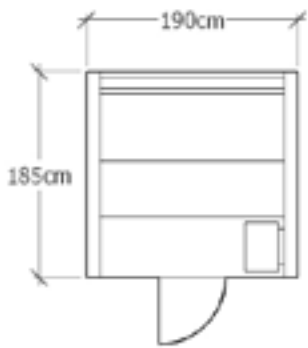
What began with the purchase and sale of standard infrared cabins in 2009, gradually evolved into our own production. A design infrared sauna, with an eye for detail and quality. And 100% Belgian made. Now, many years on, the Thermalux range is very diverse and offers numerous possibilities and combinations. From indoor to outdoor wellness products, such as (infrared) saunas, steam rooms or pool houses to a complete home spa.

With a dealer network covering practically every country in Europe, Thermalux has become a household name in the international market.

Legend

Are you looking for an outdoor spa that not only meets your needs, but also integrates beautifully into even the smallest garden? Our timeless and minimalistic designs will give your garden a beautiful upgrade. This brochure highlights our Thermalux outdoor wellness range. Before describing the specific products, we will provide some additional general information.

Our saunas, infrared saunas, steam rooms and combinations are available in three different versions: the basic model, a model with an overhang and a model with a front section.



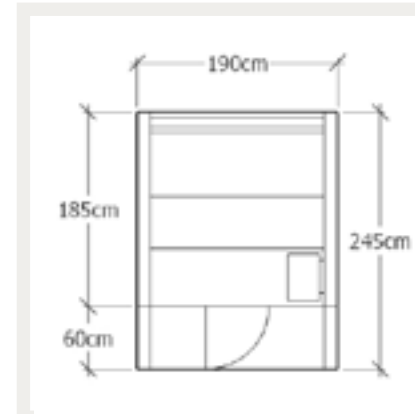
Basic model

The basic model is standard in our range. These are the models where the glass at the front is flush and you step directly into and out of your cabin.

The advantage of this is: a nice panoramic, open view.

** The basic model is shown in the price list as (model)-E.*

** E = exterior*



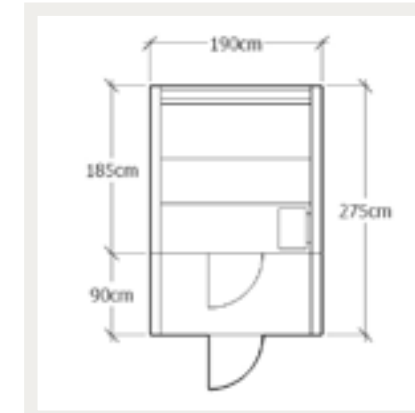
With an overhang

The products with an overhang have an additional covered area, 60 cm deep.

The advantages of this are: no rain on the glass, a protected entrance area, room to leave your slippers, hang up bathrobes and/or stand a stool, for example, and the overhang also creates an extra sense of depth.

** With overhang is shown in the price list as (model)-E-O.*

** E = exterior, O = with an overhang*



With front section

Here, a completely separate space is added. More specifically, a sheltered space with a depth of 90 centimetres, enclosed by glass.

The advantages this offers are: a separate space that becomes pleasantly warm as your spa is heated, a space that can serve as a changing room (with the option of fitting of privacy glass).

** Front section is shown in the price list as (model)-E-V.*

** E = exterior, V = with front section*

Outdoor sauna



“UNWIND IN YOUR OWN
OUTDOOR SAUNA”

Would you like to pimp up your garden with a designer outdoor sauna? Together with you, we will create a concept that complements the design of your garden.

Sauna

Our saunas are externally clad in aluminium panels, with a choice of standard finish colours: black, white, or stainless steel look.

Would you prefer a different colour? We can finish our aluminium panels in any RAL colour.

Our outdoor saunas are finished with a special coating and varnish that provide perfect year-round protection against heat, humidity and cold. The standard interior finish is white or black. The interior of the saunas is partially clad with thermo ayous planks.

The space at the rear of the sauna serves as a hollow technical area. It houses the outlet for the rainwater, the control unit and all the necessary connections.

All our outdoor saunas can be extended with an overhang or front section (see intro) and/or combined with other wellness products (see combinations).

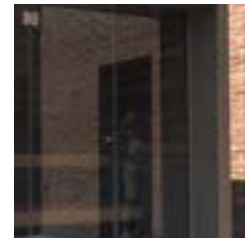
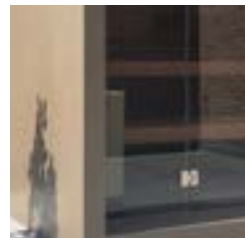


Specifications

- Wood type: Thermo ayous
- Interior finish: Black/white
- Exterior finish: Black/white/stainless steel look/RAL
- Bench type: Floating
- Operation: Touch screen
- Lighting: LED RGB
- Music: Bluetooth/2 speakers
- Glass: Toughened glass, 8mm
- Insulation: Fully insulated, 4 cm glass wool
- Options: Double glazing, panorama window

Thermalux supplies three different types of sauna: Finnish sauna (dry sauna, low humidity, 80-90°C), biosauna (high humidity, 50-60°C), combi sauna (combination of Finnish and infrared sauna).

In addition, our saunas are available in various standard sizes. Ask for our price list for more information.



Outdoor sauna with shower



“UNWIND IN YOUR OWN
OUTDOOR SAUNA”

Would you like to complete your spa experience with a designer outdoor sauna with shower?

Sauna

Our saunas are externally clad in aluminium panels, with a choice of standard finish colours: black, white, or stainless steel look.

Would you prefer a different colour? We can finish our aluminium panels in any RAL colour.

Our outdoor saunas are finished with a special coating and varnish that provide perfect year-round protection against heat, humidity and cold. The standard interior finish is white or black. The interior of the saunas is partially clad with thermo ayous planks.

The space at the rear of the sauna serves as a hollow technical area. It houses the outlet for the rain-water, the control unit and all the necessary connections. The shower boiler can also be installed in this room, with a small extension to the rear space if necessary.

Shower

Saunas and showers go hand in hand. Our outdoor sauna with shower enables you to enjoy a shower before or after you use the sauna. And all that in one compact room that is installed in front of the sauna. You can step straight from the shower into the sauna and vice versa. What's more, the shower area becomes pleasantly warm as the sauna heats up. So you'll never be left feeling cold! The standard interior finish for the showers is white or black.

All our outdoor saunas with shower can be extended with an overhang or front section (see intro) and/or combined with other wellness products (see combinations).

Specifications

- Wood type: Thermo ayous
- Interior finish: Black/white
- Exterior finish: Black/white/stainless steel look/RAL
- Bench type: Floating
- Operation: Touch screen
- Lighting: LED RGB
- Music: Bluetooth/2 speakers
- Glass: Toughened glass, 8mm
- Insulation: Fully insulated, 4 cm glass wool
- Frost protection: Yes
- Tap fittings, built-in : Black
- Options: Double glazing, panorama window

Thermalux supplies three different types of sauna: Finnish sauna (dry sauna, low humidity, 80-90°C), biosauna (high humidity, 50-60°C), combi sauna (combination of Finnish and infrared sauna).

In addition, our saunas are available in various standard sizes. Ask for our price list for more information.



Outdoor infrared sauna



“THE FIRST OUTDOOR DESIGN
INFRARED SAUNA”

Pep yourself up in your own outdoor infrared sauna, tailored to your requirements and the design of your garden.

Infrared sauna

Our saunas are externally clad in aluminium panels, with a choice of standard finish colours: black, white, or stainless steel look.

Would you prefer a different colour? We can finish our aluminium panels in any RAL colour.

Our outdoor saunas are finished with a special coating and varnish that provide perfect year-round protection against heat, humidity and cold. The standard interior finish is white or black. The interior of the saunas is partially clad with thermo ayous planks.

The space at the rear of the sauna serves as a hollow technical area. It houses the outlet for the rainwater, the control unit and all the necessary connections.

All our outdoor saunas can be extended with an overhang or front section (see intro) and/or combined with other wellness products (see combinations).

Infrared heaters

We use large, high-quality infrared heaters. This provides a constant pleasant surface temperature, ensuring all areas of the body warm up evenly. We install our radiators all around the cabin and under the bench. Together with the thermo ayous planks and glass, the interior lining ensures optimal reflection of the infrared rays. An infrared sauna is a dry room with a temperature of 45°C - 50°C.

Would you like to know more about our infrared heaters? We would be happy to give you a more detailed explanation.



Specifications

- Wood type: Thermo ayous
- Interior finish: Black/white
- Exterior finish: Black/white/stainless steel look/RAL
- Bench type: Floating
- Operation: Touch screen
- Lighting: LED RGB
- Music: Bluetooth/2 speakers
- Glass: Toughened glass, 8mm
- Insulation: Fully insulated, 4 cm glass wool
- Options: Double glazing, panorama window

All of our saunas are available in various standard sizes. Ask for our price list for more information.



Outdoor steam room



“A DESIGN STEAM ROOM THAT
BEAUTIFIES ANY GARDEN”

Relax and detoxify in your own outdoor steam room. Fully tailored to your requirements and the design of your garden.

Steam room

Our outdoor steam rooms are externally clad in aluminium panels, with a choice of standard finish colours: black, white, or stainless steel look. Would you prefer a different colour? We can finish our aluminium panels in any RAL colour. Our steam rooms are finished with a special coating and varnish that provide perfect year-round protection against heat, humidity and cold. The standard interior finish is white or black.

The space at the rear of the steam room serves as a hollow technical area. It houses the outlet for the rainwater, the control unit and all the necessary connections.

The steam room is the very different experience from the sauna or infrared sauna. A steam room is reminiscent of a Turkish Hammam with high humidity (almost 100%) and a temperature of 40°C - 45°C.

All our outdoor steam rooms can be extended with an overhang or front section (see intro) and/or combined with other wellness products (see combinations).



Specifications

- Wood type: Thermo ayous
- Interior finish: Black/white
- Exterior finish: Black/white/stainless steel look/RAL
- Bench type: Floating
- Operation: Touch screen
- Lighting: LED RGB
- Music: Bluetooth/2 speakers
- Glass: Toughened glass, 8mm
- Insulation: Fully insulated, 4 cm glass wool
- Frost protection: Yes
- Options: Double glazing, panorama window

All of our steam rooms are available in various standard sizes. Ask for our price list for more information.



Outdoor Sudorium



“SUDORIUM, 5-IN-1”

A spa unit with 5 functions in 1? That is Thermalux' latest development: the Sudorium. The name Sudorium comes from the Latin word 'sudor', meaning 'sweat'. There could hardly be a more appropriate name for this spa unit, which includes a Finnish sauna, a biosauna, an infrared sauna, a steam room, and a shower.

Sudorium

Our sudoria are externally clad in aluminium panels, with a choice of standard finish colours: black, white, or stainless steel look. Would you prefer a different colour? We can finish our aluminium panels in any RAL colour.

Our outdoor sudoria are finished with a special coating and varnish that provide perfect year-round protection against heat, humidity and cold. The standard interior finish is white or black. The interior of the Sudorium is partially clad with thermo ayous planks.

The space at the rear of the Sudorium serves as a hollow technical area. It houses the outlet for the rainwater, the control unit and all the necessary connections. The shower boiler can also be installed in this room, with a small extension to the rear space if necessary.

5-in-1; that means a Finnish sauna, a biosauna, an infrared sauna, a steam room and a shower combined in one cube. Does 5-in-1 sound a bit too much for you? Don't worry, you can also opt for less extensive combinations. Such as an infrared sauna in combination with a steam shower. Or just a Finnish sauna with a steam shower. There are numerous options. Your Sudorium will be customised to your wishes and requirements.

All our outdoor sudoria can be extended with an overhang or front section (see intro) and/or combined with other wellness products (see combinations).

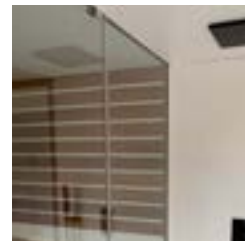
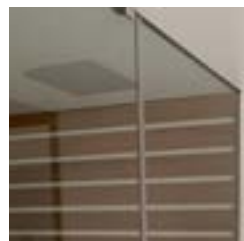
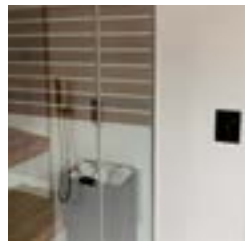


Specifications

- Wood type: Thermo ayous
- Interior finish: Black/white
- Exterior finish: Black/white/stainless steel look/RAL
- Bench type: Floating
- Operation: Touch screen
- Lighting: LED RGB
- Music: Bluetooth/2 speakers
- Glass: Toughened glass, 8mm
- Insulation: Fully insulated, 4 cm glass wool
- Frost protection: Yes
- Tap fittings, built-in: Black
- Options: Double glazing, panorama window

Thermalux supplies three different types of sauna: Finnish sauna (dry sauna, low humidity, 80-90°C), biosauna (high humidity, 50-60°C), combi sauna (combination of Finnish and infrared sauna).

In addition, our saunas are available in various standard sizes. Ask for our price list for more information.



Storage



“MADE-TO-MEASURE DESIGN
STORAGE”

Would you like to upgrade your outdoor spa by adding an extra shed? We will work together to identify your requirements and design your outdoor unit to meet them perfectly.

Design storage

Combine purpose and pleasure with our design shed. Adding an extra space to your spa creates plenty of options. Such as a modern shed for garden tools, a technical area for a swimming pool, or a convenient changing room, to name but a few examples.

We will align the shed perfectly with your spa and ensure overall consistency in terms of design. The finish can be fully personalised. Do you want a uniform aluminium look or would you prefer part of it to be in thermo ayous? The choice is yours.

The shed can be built next to or behind the cabin. We do not apply standard sizes for this product, every shed is made to measure. The width of the door is a standard 90 cm, its position can be freely chosen. Furthermore, the shed is fully insulated and a vapour permeable membrane is applied to the walls. The inside of the shed is finished with OSB 12mm. Lastly, LED lighting is provided, including switch and socket.



Poolhouse



“A MODERN POOLHOUSE
FOR EVERY HOME”

Would you like to bring together all your outdoor wellness equipment under a stylish cover, or have you long been dreaming of a modern pool house to use as a garden lounge? We always design our pool houses and covers to measure, taking your wishes and requirements into account.

Customised covers and pool house

Whether or not your spa includes a shed, by adding a patio cover we can turn it into a fully fledged pool house; enabling you to combine a lounge area with your chosen wellness unit. Would you rather have a jacuzzi than a seating area? Then we will incorporate that into the plan.

All our outdoor wellness equipment has the same look and design to ensure that they always complement each other perfectly, regardless of the combinations. We also apply this principle to our pool houses, and use the same materials. A standard model or fully personalised; the choice is yours. For extra protection, we can also add a sliding glass system.



Outdoor combinations



“GARDEN WELLNESS”

Are you a genuine wellness enthusiast and would you like to create your own combination? All our units can be combined, regardless of size.

Relax, combine, repeat

We always custom design any combination of wellness equipment to create a beautiful whole. Needs, styles and tastes differ, after all. You really do choose all the details and you determine how you want us to finish your home spa combination.

All our wellness equipment is finished with a special coating and varnish that provide perfect year-round protection against heat, humidity and cold.

Curious to know which equipment would fit in your garden and how you can combine them beautifully? Contact us for a personalised quote.



Thermalux UK



CEDAR NURSERY & OUTDOOR LIVING | HORSLEY ROAD | COBHAM KT113JX

T. 01932 932 993 | WWW.THERMALUX.UK
E. SALES@DECKMASTERSUK.COM